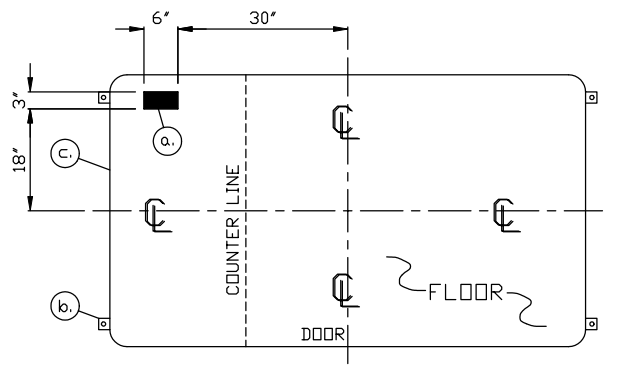


- a. 3" X 6" SLOT IN FLOOR FOR ELECTRIC SERVICE ENTRANCE TO C.B. PANEL ABOVE
- b. 2" X 2" X 1/4" MIN. ANCHOR CLIP WITH 3/4" ANCHOR BOLT HOLE, 4-REQ'D. ONE EACH CORNER. ANCHOR BOOTH AFTER FINAL LOCATION. ANCHOR BOLTS NOT INCLUDED
- c. OUTER EDGE OF BASE

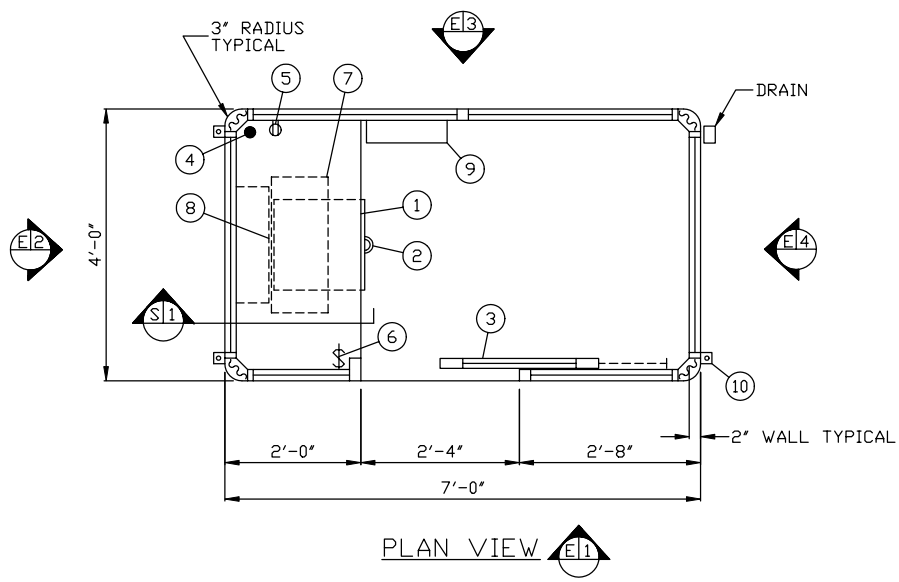


NOTE: PROVIDE 120/240V. 1Ø-3 WIRE SERVICE WITH GROUND. SERVICE ENTRANCE/ANCHOR BOLT LAYOUT

1. COUNTER- 22" DEEP PAINTED GALVANIZED STEEL 32" ABOVE FLOOR.
2. PAINTED STORAGE DRAWER BENEATH COUNTER.
3. DOOR- 28" WIDE, SLIDING STEEL WITH WEATHER-STRIPPING, BALL BEARING HANGERS, SAFETY GLAZING, HEAVY DUTY TRACK, HOOK BOLT LOCK, & HARDWARE.
4. 2" HOLE IN COUNTER FOR DROP CORDS TO OUTLET.
5. DUPLEX OUTLET- MOUNTED BELOW COUNTER.
6. LIGHT SWITCH MOUNTED ABOVE COUNTER.
7. LIGHT- 2-20 WATT LAMP FLUORESCENT LIGHT FIXTURE WITH LENS.
8. HEATER- 240V./5,600 WATT FAN FORCED WITH INTEGRAL THERMOSTAT CONTROL.
9. C.B. PANEL- 12 SPACE 120/240V. 1Ø-3 WIRE WITH GROUND BAR. 100 AMP MAIN BREAKER IS INCLUDED.
10. ANCHOR CLIP- 2" X 2" X 1/4" MIN. STEEL WELDED TO BASE AT GRADE WITH 3/4" ANCHOR BOLT HOLE. 4-REQ'D. ANCHOR BOOTH AFTER FINAL LOCATION. ANCHOR BOLTS NOT INCLUDED.

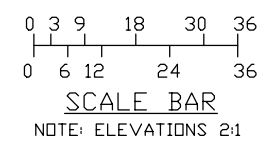
NOTE: PAR-KUT BOOTHS ARE OF SINGLE UNIT WELDED GALVANIZED STEEL CONSTRUCTION, FACTORY ASSEMBLED AND DELIVERED SET UP. FAILURE TO SECURELY ANCHOR BOOTH MAY RESULT IN OVERTURNING OF UNIT AND SERIOUS INJURY TO OCCUPANT.

- A. GLAZING TO BE 44% TINTED TEMPERED SAFETY GLAZING WITH PAINTED STEEL EXTERIOR WINDOWS FRAMES AND ALUMINUM INTERIOR GLAZING STOPS.
- B. PAINT- A RUST INHIBITIVE PRIMER WITH AN INDUSTRIAL FINISH.
- C. ELECTRICAL- ALL WIRING BY PAR-KUT TO BE #12(MIN) STRANDED COPPER, THHN ENCLOSED IN 1/2"(MIN) E.M.T. PER NATIONAL ELECTRIC CODE. FITTINGS, FIXTURES & DEVICES ARE U.L. LABELED. ALL WIRING TO TERMINATE AT C.B. PANEL. ALL CIRCUITS HAVE GREEN GROUND WIRE.
- D. BOOTH WILL HAVE A 3" CANOPY OVERHANG ON ALL SIDES.
- E. LIFTING RING(S) ARE PROVIDED IN ROOF.
- F. NO ON SITE WORK BY PAR-KUT.
- G. VERTICAL SLIDING WINDOW INCLUDES INSECT SCREEN.



NOTE: THIS PRINT AND DESIGN ARE THE PROPERTY OF PAR-KUT INTERNATIONAL, INC. IT MUST NOT BE REPRODUCED IN ANY MANNER, NOR SHALL IT BE SUBMITTED TO OUTSIDE PARTIES FOR EXAMINATION WITHOUT OUR CONSENT. IT SHALL BE USED ONLY AS A MEANS OF REFERENCE TO WORK DESIGNED AND FURNISHED BY PAR-KUT. PAR-KUT RESERVES THE RIGHT TO MAKE CHANGES TO DESIGN FOR ENGINEERING PURPOSES WITHOUT NOTICE. REVISIONS MAY NOT BE NOTED.

PAR-KUT INTERNATIONAL, INC.  
 40961 Production Drive  
 Harrison Twp, Mich.  
 48045-1351  
 PH. (810) 468-2947



A/E NOTES		
PAINT COLOR: MATCH SHERWIN WILLIAM BRILLIANT WHITE		
TINTED GLAZING COLOR: GRAY		
PD# 01-65156	SCALE NTS	DRAWN BY DNE
DATE 5-2-2003	SIZE 4' x 7'	QTY 3
CHK'D BY:	SALES REPRESENTATIVE MAL NEWCOMB	

DWG# 03-149-51 SHEET A-1  
 DELTA SONIC CAR WASH SYSTEMS ROCHESTER, NY