

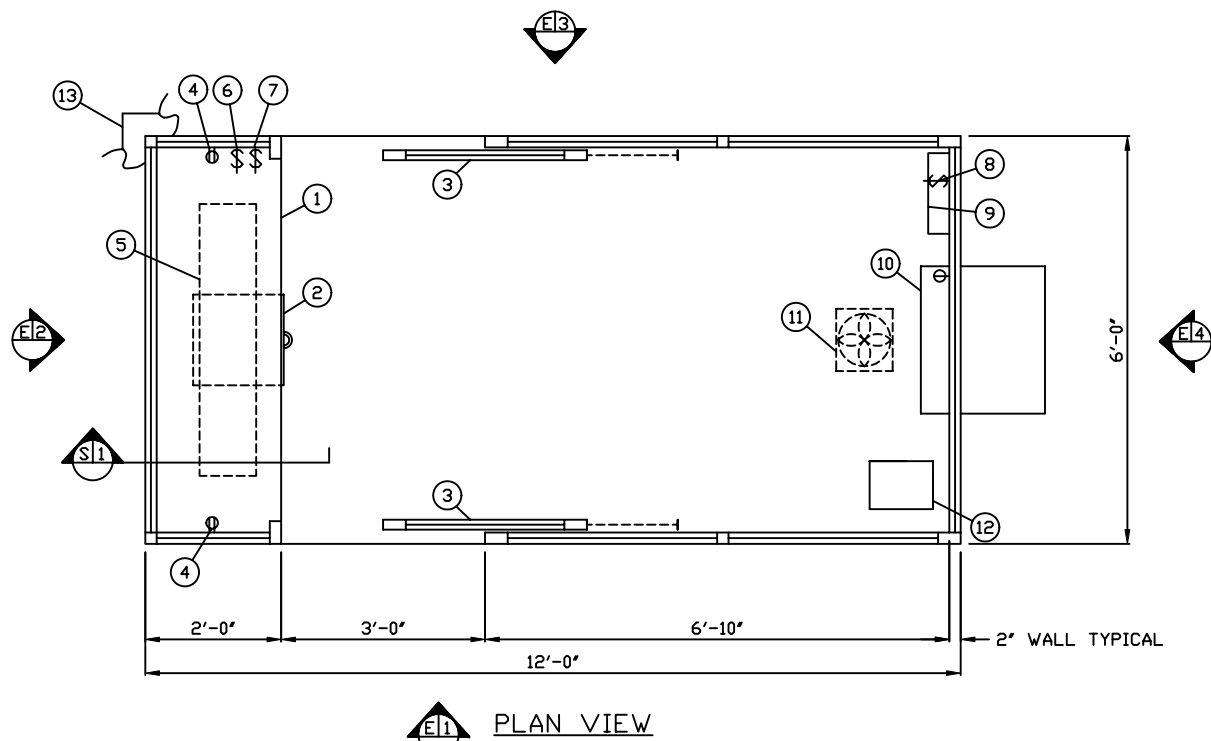
NOTE: PROVIDE 120/240V, 1Ø-3 WIRE SERVICE WITH GROUND.
SERVICE ENTRANCE/ANCHOR BOLT LAYOUT

- a. 3" X 6" SLOT IN FLOOR FOR ELECTRIC SERVICE ENTRANCE TO C.B. PANEL ABOVE
- b. 3" X 4" ANGLE WITH 3/4" ANCHOR HOLES. ANCHOR BOOTH AFTER FINAL LOCATION. ANCHOR BOLTS NOT INCLUDED 6 HOLES REQ'D.
- c. OUTER EDGE OF BASE.
- d. OUTER EDGE OF BOOTH & ANGLE BRICK LEDGE.

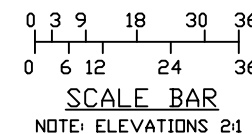
1. COUNTER- 22" DEEP PAINTED GALVANIZED STEEL 32" ABOVE FINISH FLOOR.
2. R-1 LOCKING CASH DRAWER WITH REMOVABLE MONEY TRAY
3. DOOR- 36" WIDE, SLIDING STEEL WITH WEATHER-STRIPPING, BALL BEARING HANGERS, SAFETY GLAZING, HEAVY DUTY TRACK, LOCK, & HARDWARE, 2-REQ'D.
4. GFI OUTLET- MOUNTED ABOVE COUNTER, 2-REQ'D.
5. KENALL #7235-0° BALLAST 2-34 WATT LAMP FLUORESCENT LIGHT FIXTURE WITH VANDAL RESISTANT LENS.
6. SWITCH FOR FUTURE EXTERIOR LIGHTS, TWO EXTERIOR INCANDESCENT DOWN LIGHT FIXTURES AND LAMPS. PROVIDED BY PAR-KUT AND INSTALLED ON SITE BY OTHERS.
7. SWITCH FOR INTERIOR LIGHT.
8. SWITCH FOR EXHAUST FAN.
9. C.B. PANEL- 120/240V, 1Ø-3 WIRE WITH GROUND BAR. MAIN BREAKER INCLUDED.
10. COMBINATION HEAT/COOL- 240V./11,600 BTU WALL MOUNTED WITH INTEGRAL THERMOSTAT CONTROL.
11. 80 CFM MIN. EXHAUST FAN-VENT OUTSIDE OF ROOF VIA 3" DIAMETER PIPE. FIELD CONNECTED TO EXHAUST THROUGH GABLE END BY OTHERS.
12. FLOOR SAFE GARDALL RC1218K WITH CASH SLOT AND KEY CYLINDER.
13. BRICK GUARD COVER- MOUNTED 40" ABOVE GRADE TO BOTTOM INSIDE EDGE.

NOTE: PAR-KUT BOOTHS ARE OF SINGLE UNIT WELDED GALVANIZED STEEL CONSTRUCTION, FACTORY ASSEMBLED AND DELIVERED SET UP. FAILURE TO SECURELY ANCHOR BOOTH MAY RESULT IN OVERTURNING OF UNIT AND SERIOUS INJURY TO OCCUPANT.

- A. GLAZING TO BE 1/4" GRAY TINTED POLYCARBONATE SAFETY GLAZING SET IN ANODIZED ALUMINUM WINDOW FRAMES. OPERATING WINDOWS WILL BE PROVIDED WITH INSECT SCREENS
- B. PAINT- A RUST INHIBITIVE PRIMER WITH AN INDUSTRIAL FINISH.
- C. ELECTRICAL- ALL WIRING BY PAR-KUT TO BE #12(MIN) STRANDED COPPER, THHN ENCLOSED IN 1/2"(MIN) E.M.T. PER NATIONAL ELECTRIC CODE. FITTINGS, FIXTURES & DEVICES ARE U.L. LABELED. ALL WIRING TO TERMINATE AT C.B. PANEL. ALL CIRCUITS HAVE GREEN GROUND WIRE.
- D. BOOTH WILL NOT HAVE A CANOPY OVERHANG.
- E. LIFTING RING(S) ARE PROVIDED IN ROOF.
- F. NO ON SITE WORK BY PAR-KUT.
- G. RECESSED LIGHTS SHIPPED LOOSE FOR FIELD INSTALLATION BY OTHERS.



DRAWING IS AS FABRICATED FOR RECORD PURPOSES ONLY

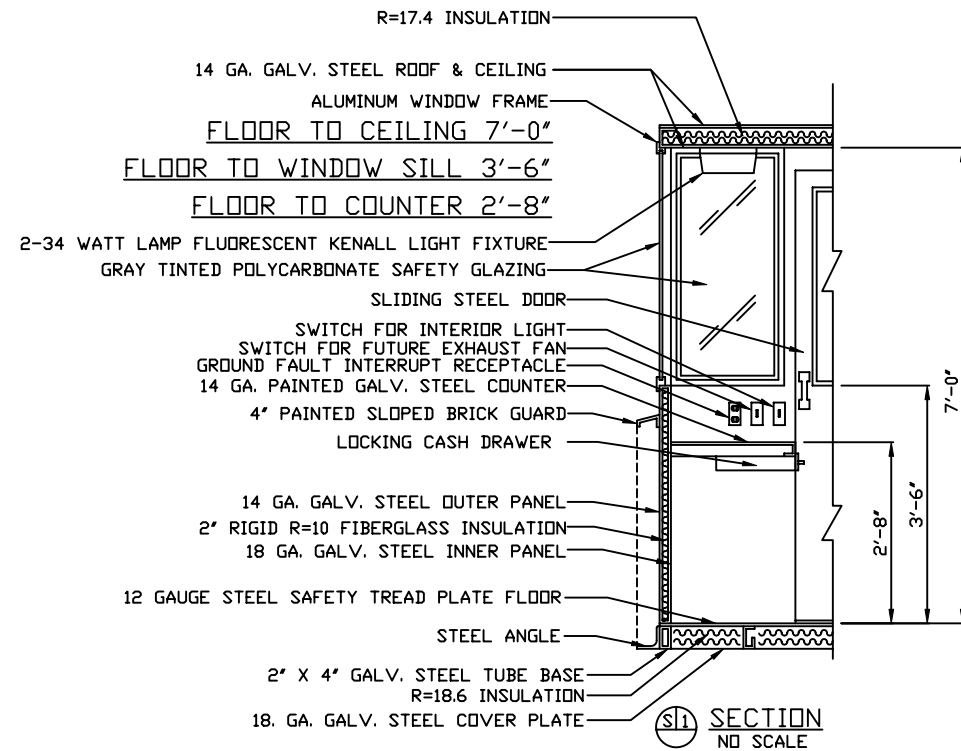
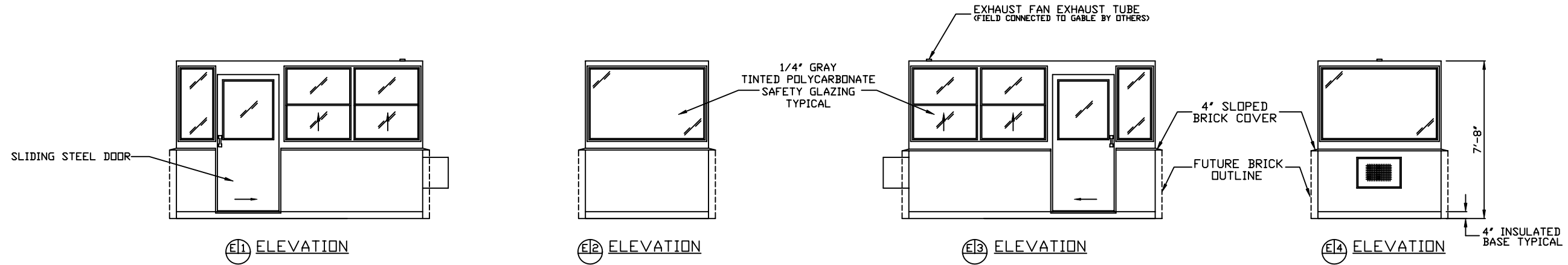


A/E NOTES
PAINT COLOR: LIGHT GRAY #DC2973
NO EXPANDED METAL LATH BY PAR-KUT

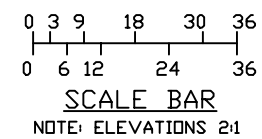
CODE REFERENCES		
R-VALUES:	ROOF: 17.4	
	WALLS: 10.	
	FLOOR: 0	
WIND SPEED	80	
GROUND SNOW LOAD	70	
USE GROUP	U	
CONSTRUCTION TYPE	2C	
OCCUPANT LOAD	1	
1996 BOCA NATIONAL BUILDING CODE.		
1997 BOCA INTERNATIONAL PLUMBING CODE.		
1996 BOCA INTERNATIONAL MECHANICAL CODE.		
1999 NATIONAL ELECTRICAL CODE		
ALL WITH STATE AMENDMENTS		
50 PSF ROOF LIVE LOAD		
10 PSF ROOF DEAD LOAD		
50 PSF FLOOR LIVE LOAD		
10 PSF FLOOR DEAD LOAD		

NOTE: THIS PRINT AND DESIGN ARE THE PROPERTY OF PAR-KUT INTERNATIONAL, INC. IT MUST NOT BE REPRODUCED IN ANY MANNER, NOR SHALL IT BE SUBMITTED TO OUTSIDE PARTIES FOR EXAMINATION WITHOUT OUR CONSENT. IT SHALL BE USED ONLY AS A MEANS OF REFERENCE TO WORK DESIGNED AND FURNISHED BY PAR-KUT. PAR-KUT RESERVES THE RIGHT TO MAKE CHANGES TO DESIGN FOR ENGINEERING PURPOSES WITHOUT NOTICE. REVISIONS MAY NOT BE NOTED.

PAR-KUT INTERNATIONAL, INC. 40961 Production Drive Harrison Twp, Mich. 48045-1351 PH. (810) 468-2947			
DWG#	02-287	SHEET	A-1
MICHIGAN DNR SELFRIDGE BOAT RAMP C/D JARMCO CONSTRUCTION HARRISON TWP, MI			
SCALE	NTS	DRAWN BY	JHS / AJP
DATE	5-24-2002	SIZE	6' X 12'
CHK'D BY:		REVISED	7-3-2002
		QTY	1
		SALES REPRESENTATIVE TOM DUEMLING	



DRAWING IS AS FABRICATED
FOR RECORD PURPOSES ONLY



CODE REFERENCES	
R-VALUES:	ROOF: 17.4 WALLS: 10. FLOOR: 0
WIND SPEED	80
GROUND SNOW LOAD	70
USE GROUP	U
CONSTRUCTION TYPE	2C
OCCUPANT LOAD	1
1996 BOCA NATIONAL BUILDING CODE.	
1997 BOCA INTERNATIONAL PLUMBING CODE.	
1996 BOCA INTERNATIONAL MECHANICAL CODE.	
1999 NATIONAL ELECTRICAL CODE	
ALL WITH STATE AMENDMENTS	
50 PSF ROOF LIVE LOAD	
10 PSF ROOF DEAD LOAD	
50 PSF FLOOR LIVE LOAD	
10 PSF FLOOR DEAD LOAD	

NOTE: THIS PRINT AND DESIGN ARE THE PROPERTY OF PAR-KUT INTERNATIONAL, INC. IT MUST NOT BE REPRODUCED IN ANY MANNER, NOR SHALL IT BE SUBMITTED TO OUTSIDE PARTIES FOR EXAMINATION WITHOUT OUR CONSENT. IT SHALL BE USED ONLY AS A MEANS OF REFERENCE TO WORK DESIGNED AND FURNISHED BY PAR-KUT. PAR-KUT RESERVES THE RIGHT TO MAKE CHANGES TO DESIGN FOR ENGINEERING PURPOSES WITHOUT NOTICE. REVISIONS MAY NOT BE NOTED.

PAR-KUT INTERNATIONAL, INC. 40961 Production Drive Harrison Twp, Mich. 48045-1351 PH. (810) 468-2947		
DWG# 02-287	SHEET A-2	
MICHIGAN DNR SELFRIDGE BOAT RAMP C/O JARMCO CONSTRUCTION HARRISON TWP, MI		
SCALE: NTS	DRAWN BY: JHS / AJP	REVISED: 7-3-2002
DATE: 5-24-2002	SIZE: 6' X 12'	QTY: 1
CHK'D BY:	SALES REPRESENTATIVE TOM DUEMLING	