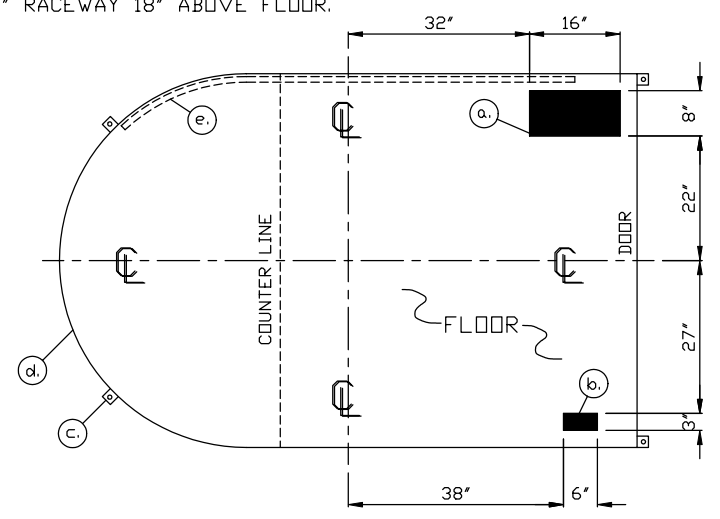
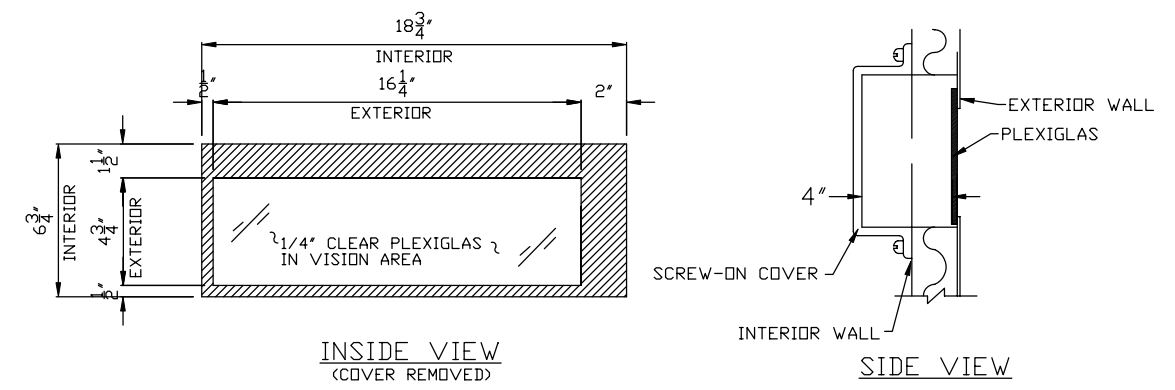
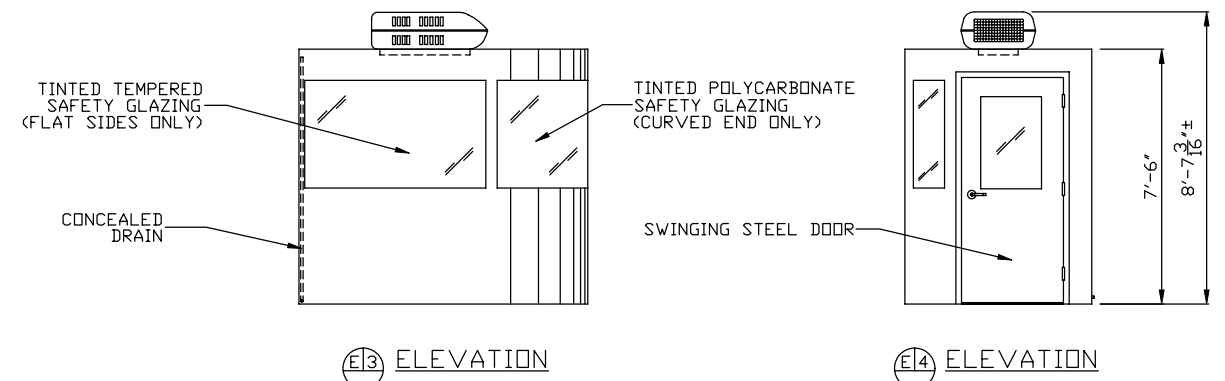


- a. 3" X 6" SLOT IN FLOOR FOR ELECTRIC SERVICE ENTRANCE TO C.B. PANEL ABOVE
- b. 3" X 6" SLOT IN FLOOR FOR FUTURE USE BY CUSTOMER
- c. 2" X 2" X 1/4" MIN. ANCHOR CLIP WITH 3/4" ANCHOR BOLT HOLE, 4-REQ'D. AS SHOWN. ANCHOR BOOTH AFTER FINAL LOCATION. ANCHOR BOLTS NOT INCLUDED
- d. OUTER EDGE OF BASE
- e. 1" X 2" RACEWAY 18" ABOVE FLOOR.



NOTE: PROVIDE 120/240V. 1Ø-3 WIRE SERVICE WITH GROUND. SERVICE ENTRANCE/ANCHOR BOLT LAYOUT

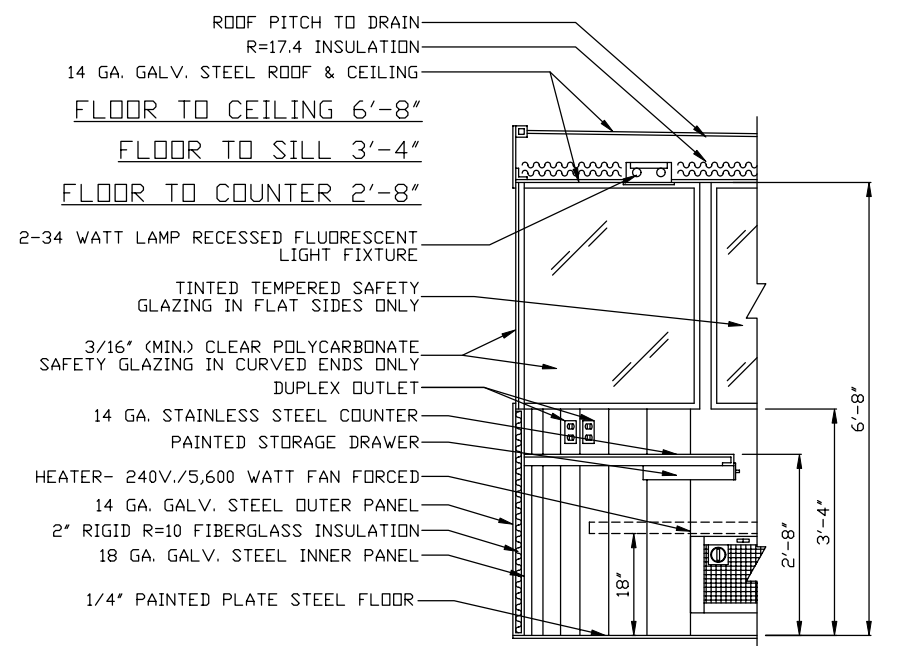


INSIDE VIEW (COVER REMOVED)  
AMANO AGP-5900 FEE DISPLAY WINDOW DETAIL  
THIS CONFIGURATION REQUIRES SWING ARM TO BE REMOVED  
NO SCALE

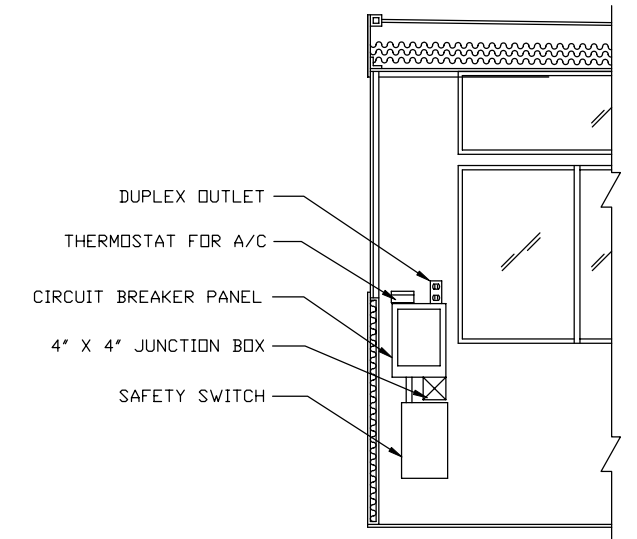
1. COUNTER- 37" DEEP STAINLESS STEEL 32" ABOVE FLOOR.
2. PAINTED STORAGE DRAWER BENEATH COUNTER.
3. DOOR- 36" WIDE, SWINGING STEEL WITH WEATHER-STRIPPING, BALL BEARING BUTTS, SAFETY GLAZING, HYDRAULIC CLOSER, LEVER HANDLE LOCK, & HARDWARE.
4. 1-1/4" X 6" SLOT IN COUNTER FOR DROP CORDS, 2-REQ'D.
5. DUPLEX OUTLET- MOUNTED BELOW COUNTER, 4-REQ'D.
6. CONCEALED ROOF AND AIR CONDITIONER CONDENSATION DRAIN.
7. ROLLER CASHIER WINDOW MOUNTED 32" ABOVE FLOOR.
8. LIGHT SWITCH FOR INTERIOR LIGHT.
9. LIGHT- 2-20 WATT LAMP FLUORESCENT RECESSED LIGHT FIXTURE WITH LENS.
10. HEATER- 240V./5,600 WATT FAN FORCED WITH INTEGRAL THERMOSTAT CONTROL.
11. WALL MOUNTED THERMOSTAT CONTROL FOR ROOF TOP AIR CONDITIONER.
12. AIR CONDITIONER - 120V./13,500 BTU ROOF MOUNTED WITH WALL MOUNTED THERMOSTAT CONTROL.
13. C.B. PANEL- LOCKABLE 12 SPACE 120/240V. 1Ø-3 WIRE WITH GROUND BAR. 100 AMP MAIN BREAKER IS INCLUDED.
14. ANCHOR CLIP- 2" X 2" X 1/4" MIN. STEEL WELDED TO BASE AT GRADE WITH 3/4" ANCHOR BOLT HOLE. 4-REQ'D. ANCHOR BOOTH AFTER FINAL LOCATION. ANCHOR BOLTS NOT INCLUDED.
15. 3/4" RACEWAY FROM J-BOX AT C.B. PANEL THROUGH ROOF FOR CUSTOMER USE.
16. FEE DISPLAY WINDOW WITH 2" X 1" RACEWAY FROM FEE DISPLAY TO COUNTER.
17. 1" X 2" RACEWAY IN WALL 18" ABOVE FLOOR.

NOTE: PAR-KUT BOOTHS ARE OF SINGLE UNIT WELDED GALVANIZED STEEL CONSTRUCTION, FACTORY ASSEMBLED AND DELIVERED SET UP. FAILURE TO SECURELY ANCHOR BOOTH MAY RESULT IN OVERTURNING OF UNIT AND SERIOUS INJURY TO OCCUPANT.

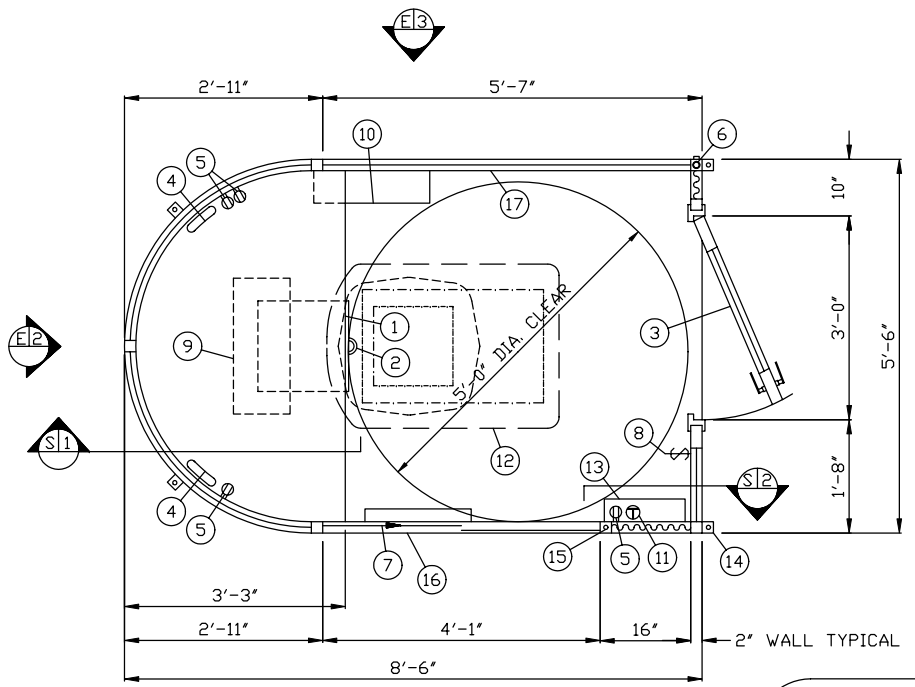
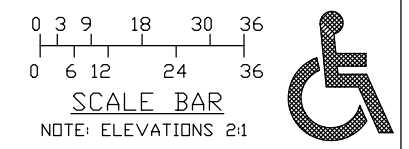
- A. GLAZING TO BE 3/16" GRAY TINTED POLYCARBONATE SAFETY GLAZING (CURVED END ONLY) AND 3/16" GRAY TINTED TEMPERED SAFETY GLAZING (FLAT SIDES ONLY). STEEL EXTERIOR WINDOW FRAMES AND ALUMINUM INTERIOR GLAZING STOPS.
- B. PAINT- A RUST INHIBITIVE PRIMER WITH AN INDUSTRIAL FINISH.
- C. ELECTRICAL- ALL WIRING BY PAR-KUT TO BE #12(MIN) STRANDED COPPER, THHN ENCLOSED IN 1/2"(MIN) E.M.T. PER NATIONAL ELECTRIC CODE. FITTINGS, FIXTURES & DEVICES ARE U.L. LABELED. ALL WIRING TO TERMINATE AT C.B. PANEL. ALL CIRCUITS HAVE GREEN GROUND WIRE.
- D. BOOTH WILL NOT HAVE A CANOPY OVERHANG.
- E. LIFTING RING(S) ARE PROVIDED IN ROOF.
- F. NO ON SITE WORK BY PAR-KUT.



S1 SECTION  
NO SCALE



S2 SECTION  
NO SCALE



PLAN VIEW E1

DRAWING IS AS FABRICATED FOR RECORD PURPOSES ONLY

A.D.A. NOTE  
BOOTH MUST BE HANDICAP ACCESSIBLE. THE FOUNDATION MAY BE RECESSED OR A 1:12 RAMP MUST BE PROVIDED SO THAT MAXIMUM CHANGE IN LEVEL FROM GRADE TO FINISH FLOOR DOES NOT EXCEED 1/4"

CODE REFERENCES:		
1996 NATIONAL BUILDING CODE	1999 NATIONAL ELECTRIC CODE	1998 CT STATE FIRE CODE
1996 INTERNATIONAL MECHANICAL CODE	1997 INTERNATIONAL PLUMBING CODE	
A/E NOTES		
PAINT COLOR: (PLEASE SPECIFY COLOR)		

NOTE: THIS PRINT AND DESIGN ARE THE PROPERTY OF PAR-KUT INTERNATIONAL, INC. IT MUST NOT BE REPRODUCED IN ANY MANNER, NOR SHALL IT BE SUBMITTED TO OUTSIDE PARTIES FOR EXAMINATION WITHOUT OUR CONSENT. IT SHALL BE USED ONLY AS A MEANS OF REFERENCE TO WORK DESIGNED AND FURNISHED BY PAR-KUT. PAR-KUT RESERVES THE RIGHT TO MAKE CHANGES TO DESIGN FOR ENGINEERING PURPOSES WITHOUT NOTICE. REVISIONS MAY NOT BE NOTED.

PAR-KUT INTERNATIONAL, INC. 40961 Production Drive Harrison Twp, Mich. 48045-1351 PH. (810) 468-2947		
DWG# 2K433-440	SHEET A-1	
APCOA / STANDARD PARKING BRADLEY INTERNATIONAL AIRPORT HARTFORD, CT		
SCALE NTS	DRAWN BY AJP	REVISED 8-18-2000 DLT
DATE 7-11-2000	SIZE 5'-6" X 8'-6"	QTY 8
CHK'D BY:	SALES REPRESENTATIVE BILL DUEMLING	