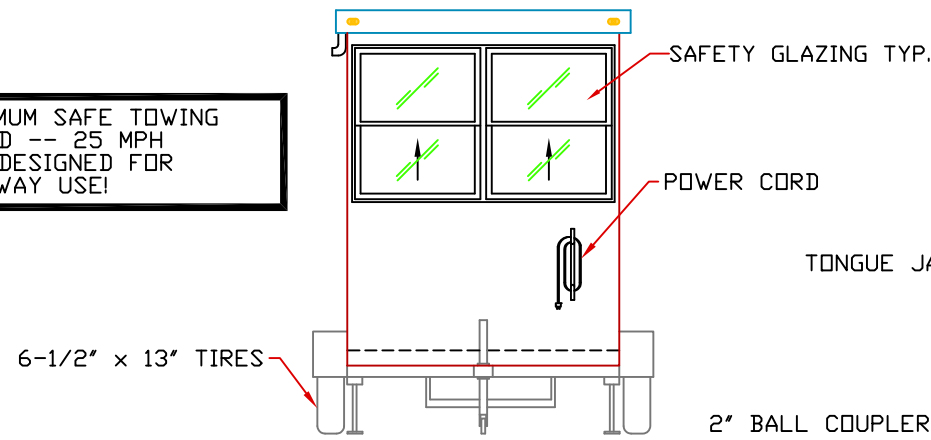
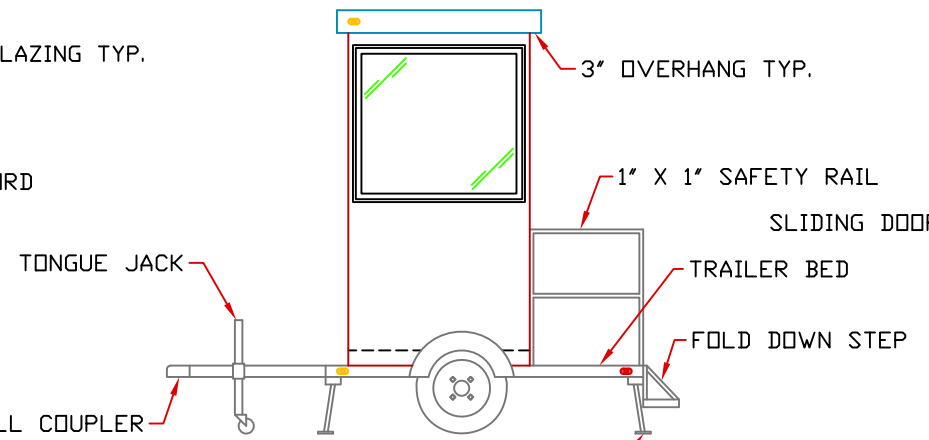


**NOTICE:** MAXIMUM SAFE TOWING SPEED -- 25 MPH NOT DESIGNED FOR HIGHWAY USE!

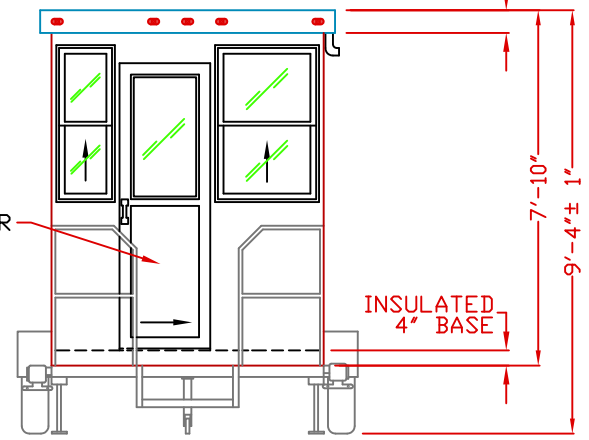


E2 ELEVATION

TRAILER EQUIPPED WITH SAFETY CHAINS & RUNNING LIGHTS



E1 ELEVATION



E4 ELEVATION

1. COUNTER- 18" DEEP PAINTED GALVANIZED STEEL MOUNTED AT SILL.
2. PAINTED STORAGE DRAWER BENEATH COUNTER.
3. DOOR- 25" WIDE, SLIDING WITH WEATHER-STRIPPING, BALL BEARING HANGERS, HEAVY DUTY TRACK, PAINTED STEEL KICK PANEL, SAFETY GLAZING, LOCK, AND HARDWARE.
4. HOLE IN COUNTER FOR DROP CORDS.
5. DUPLEX OUTLET MOUNTED BELOW COUNTER.
6. 1-17 WATT FLUORESCENT LIGHT WITH SWITCH FOR INTERIOR LIGHT.
7. HEATER- 120V/1,500 WATT WALL MOUNTED WITH INTEGRAL THERMOSTAT CONTROL.
8. 10' POWER CORD.
9. C.B. PANEL- 12 SPACE, 120/240V, 1Ø-3 WIRE WITH GROUND. 100 AMP MAIN BREAKER INCLUDED.

THE FOLLOWING ITEMS MAKE UP HEAVY DUTY TRAILER:

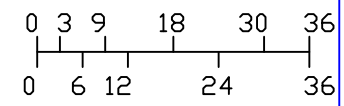
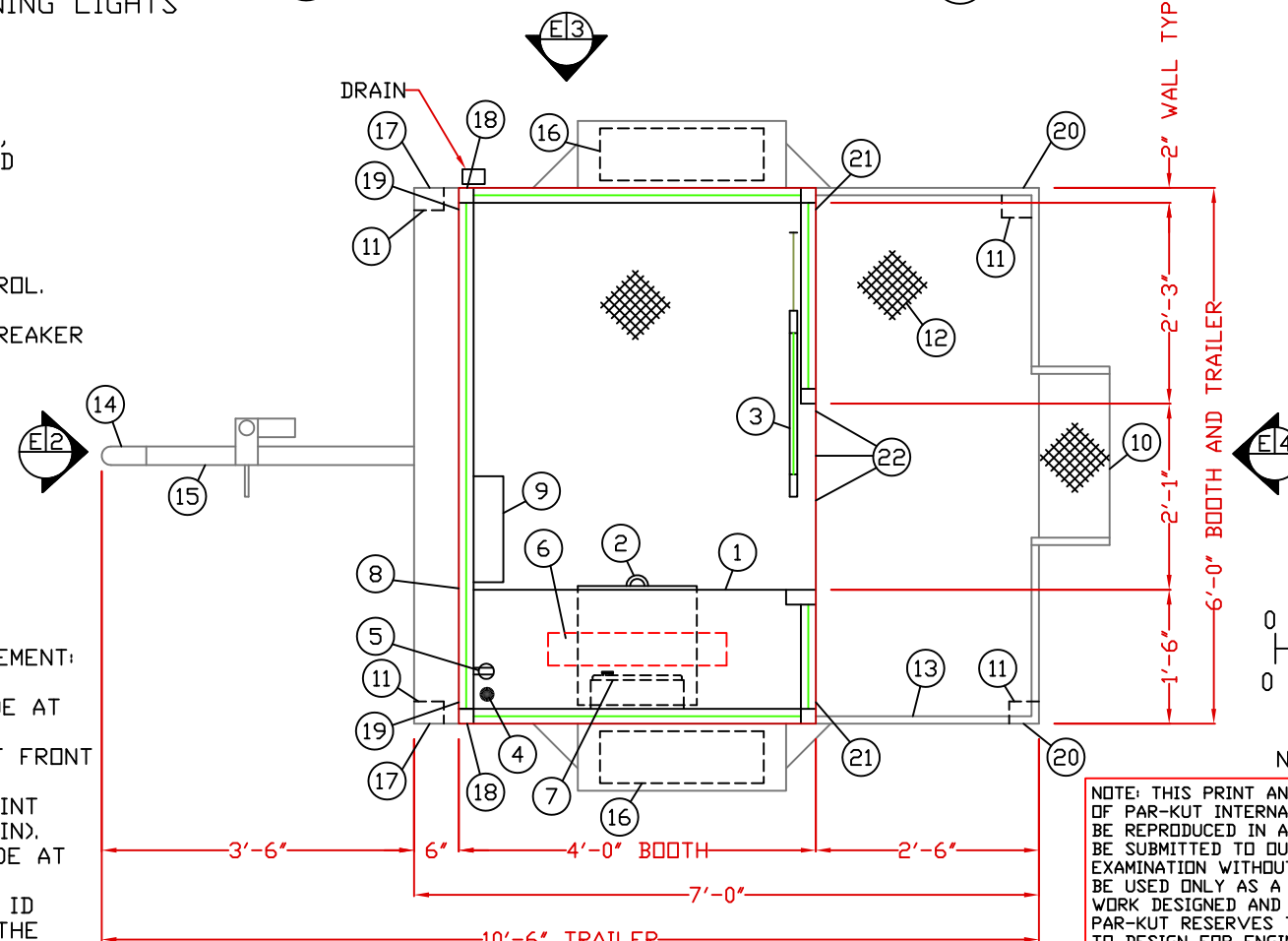
10. GRIP STRUT FOLD DOWN STEP.
11. LEVELING JACK, 4-REQ'D.
12. 12GA. GALVANIZED, 4-WAY DIAMOND PLATE STEEL TRAILER BED.
13. 1" X 1" SAFETY RAIL.
14. 2" BALL COUPLER.
15. TONGUE WITH TONGUE JACK AND SAFETY CHAINS.
16. 13" TIRES, 2-REQ'D.

THE FOLLOWING ITEMS ARE THE FEDERAL LIGHTING EQUIPMENTS LOCATION REQUIREMENT:

17. FRONT SIDE REFLEX REFLECTORS- MOUNTED 15-60" FROM GRADE AT EACH SIDE AT FRONT AS FAR FORWARD AS PRACTICABLE FACING SIDE WARD, 2-REQ'D(MIN).
18. FRONT SIDE MARKER LAMPS- MOUNTED 15"(MIN) FROM GRADE AT EACH SIDE AT FRONT AS FAR FORWARD AS PRACTICABLE, 2-REQ'D(MIN).
19. FRONT CLEARANCE LAMPS- MOUNTED AS HIGH AS PRACTICABLE AT WIDEST POINT SYMMETRICAL AS FAR FORWARD AS PRACTICABLE FACING FORWARD, 2-REQ'D(MIN).
20. REAR SIDE REFLEX REFLECTORS- MOUNTED 15-60" ABOVE GRADE AT EACH SIDE AT REAR AS FAR BACK AS PRACTICABLE FACING SIDE WARD, 2-REQ'D(MIN).
21. REAR CLEARANCE LAMPS- AS HIGH AS PRACTICABLE (MAY BE LOWER ONLY IF ID LAMPS ARE AT TOP) AT WIDEST POINT SYMMETRICAL ON THE REAR OR NEAR THE REAR FACING FORWARD, 2-REQ'D(MIN).
22. REAR IDENTIFICATION LAMPS- AS HIGH AS PRACTICABLE ON THE REAR CENTER FACING FORWARD HORIZONTALLY SPACED 6-12" APART, 3-REQ'D.

NOTE: PAR-KUT BOOTHS ARE OF SINGLE UNIT WELDED STEEL CONSTRUCTION, FACTORY ASSEMBLED AND DELIVERED SET UP. FAILURE TO SECURELY ANCHOR BOOTH MAY RESULT IN OVERTURNING OF UNIT AND SERIOUS INJURY TO OCCUPANT.

- A. GLAZING- CLEAR TEMPERED SAFETY GLAZING SET IN ANODIZED ALUMINUM WINDOW FRAMES. VENT WINDOWS WILL BE PROVIDED INSECT SCREENS.
- B. PAINT- A RUST INHIBITIVE PRIMER WITH AN INDUSTRIAL FINISH.
- C. ELECTRICAL- ALL WIRING BY PAR-KUT TO BE #12(MIN) STRANDED COPPER, THHN ENCLOSED IN 1/2"(MIN) E.M.T. PER NATIONAL ELECTRIC CODE. FITTINGS, FIXTURES, AND DEVICES ARE U.L. LABELED. ALL WIRING TO TERMINATE AT C.B. PANEL. ALL CIRCUITS HAVE GREEN GROUND WIRE.
- D. BOOTH WILL HAVE A 3" CANOPY OVERHANG ON ALL SIDES.
- E. LIFTING RING(S) ARE PROVIDED ON ROOF.
- F. NO ON SITE WORK BY PAR-KUT.



SCALE BAR

NOTE: ELEVATIONS 2:1

NOTE: THIS PRINT AND DESIGN ARE THE PROPERTY OF PAR-KUT INTERNATIONAL, INC. IT MUST NOT BE REPRODUCED IN ANY MANNER, NOR SHALL IT BE SUBMITTED TO OUTSIDE PARTIES FOR EXAMINATION WITHOUT OUR CONSENT. IT SHALL BE USED ONLY AS A MEANS OF REFERENCE TO WORK DESIGNED AND FURNISHED BY PAR-KUT. PAR-KUT RESERVES THE RIGHT TO MAKE CHANGES TO DESIGN FOR ENGINEERING PURPOSES WITHOUT NOTICE. REVISIONS MAY NOT BE NOTED.

PAR-KUT INTERNATIONAL, INC.  
40961 Production Drive  
Harrison Twp, Mich.  
48045-1351  
PH. (586) 468-2947  
www.parkut.com

DWG# PK64TLR SHEET A-1

STANDARD 4' X 6' TRAILER MODEL 64TLR

GENERAL NOTES  
PAINT COLOR:  
(PLEASE SPECIFY COLOR)

PO#	SCALE	DRAWN BY	REVISED
	NTS	DLT	1-15-2009
DATE	SIZE	QTY	
8-2-2002	4' X 6'		
CHR'D BY:	SALES REPRESENTATIVE		