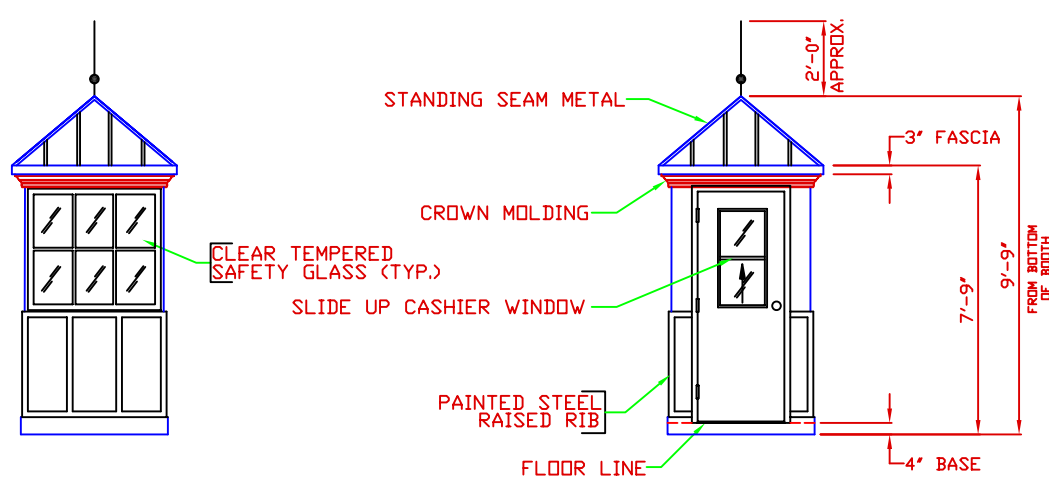


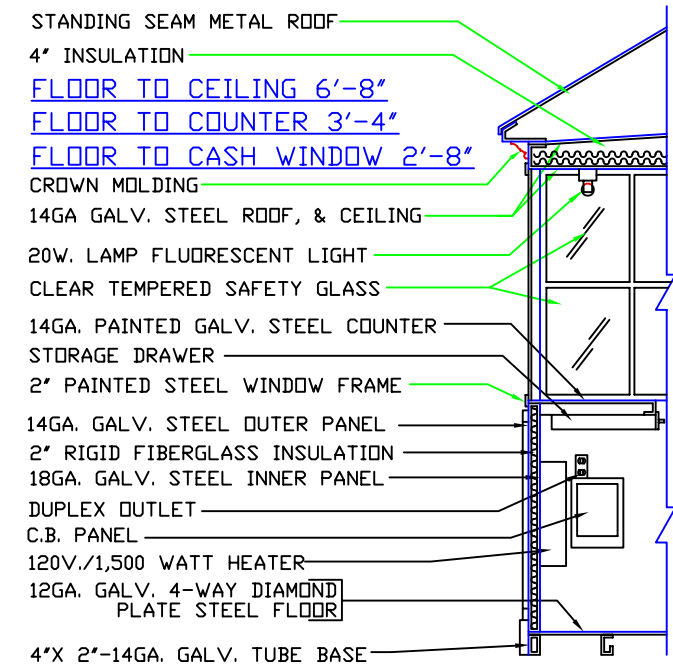
E11 SIDE ELEVATION

E12 FRONT ELEVATION

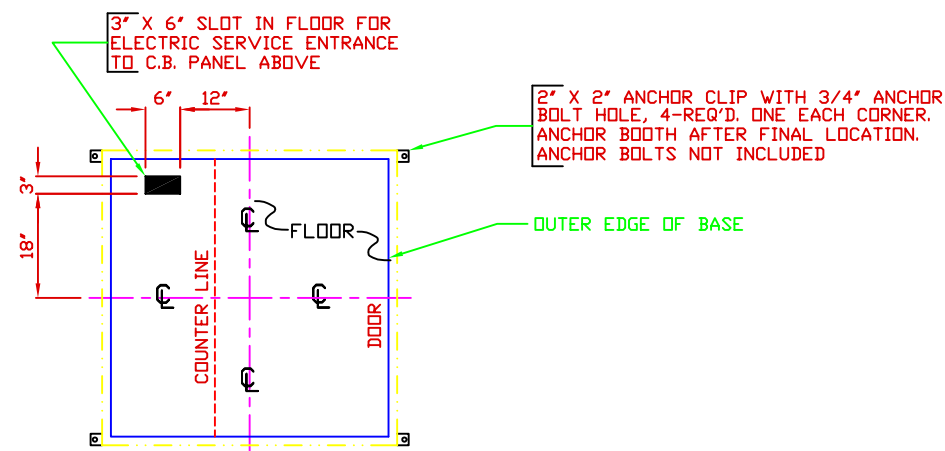


E13 SIDE ELEVATION

E14 REAR ELEVATION



SECTION Z-Z



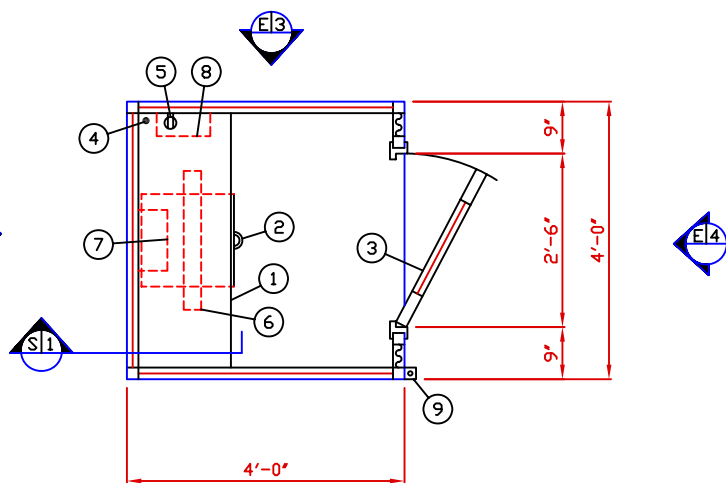
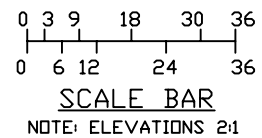
SERVICE ENTRANCE/ANCHOR BOLT LAYOUT

SCALE: 3/4"=1'-0"

1. COUNTER- 18" DEEP PAINTED GALVANIZED STEEL.
2. PAINTED STORAGE DRAWER BENEATH COUNTER.
3. DOOR- 30" WIDE, SWINGING STEEL WITH WEATHER-STRIPPING, BALL BEARING BUTTS, SAFETY GLAZING, CHECK CHAIN, LOCK, & HARDWARE.
4. 1-1/4" HOLE IN COUNTER FOR DROP CORDS TO OUTLET.
5. DUPLEX OUTLET- MOUNTED BELOW COUNTER.
6. LIGHT- 20 WATT LAMP FLUORESCENT LIGHT FIXTURE WITH SWITCH ATTACHED.
7. HEATER- 120V./1,500 WATT FAN FORCED WITH INTEGRAL THERMOSTAT CONTROL.
8. C.B. PANEL- 120/208V. 1Ø-3 WIRE WITH GROUND BAR. MAIN BREAKER NOT INCLUDED.
9. ANCHOR CLIP- 2" X 2" STEEL WELDED TO BASE AT GRADE WITH 3/4" ANCHOR BOLT HOLE. 4-REQ'D. ANCHOR BOOTH AFTER FINAL LOCATION. ANCHOR BOLTS NOT INCLUDED.

NOTE: PAR-KUT BOOTHS ARE OF SINGLE UNIT WELDED GALVANIZED STEEL CONSTRUCTION, FACTORY ASSEMBLED AND DELIVERED SET UP. FAILURE TO SECURELY ANCHOR BOOTH MAY RESULT IN OVERTURNING OF UNIT AND SERIOUS INJURY TO OCCUPANT.

- A. GLAZING TO BE ALL NON OPERABLE CLEAR TEMPERED SAFETY GLASS WITH 1-1/2" PAINTED STEEL WINDOW FRAMES & 1" STEEL TUBE MULLIONS.
- B. PAINT- RUST INHIBITIVE EPOXY PRIMER WITH IMRON FINISH.
- C. ELECTRICAL- ALL WIRING BY PAR-KUT TO BE #12(MIN) STRANDED COPPER, THHN ENCLOSED IN 1/2"(MIN) E.M.T. PER NATIONAL ELECTRIC CODE. FITTINGS, FIXTURES, & DEVICES ARE U.L. LISTED. ALL WIRING BY PAR-KUT TO TERMINATE AT C.B. PANEL. ALL CIRCUITS HAVE GREEN GROUND WIRE.
- D. CANOPY OVERHANG TO BE 4-1/2" ON ALL SIDES.
- E. NO LIFTING RING(S) PROVIDED IN ROOF.
- F. ROOF TOP TO HAVE PAINTED ROD WITH A 4" BALL.
- G. LOWER EXTERIOR WALL PANELS TO HAVE RAISED RIB ARCHITECTURAL TREATMENT.
- H. BOOTH WILL HAVE CROWN MOLDING ABOVE WINDOW FRAMES.
- I. TOP OF ROOF TO BE 18 GA. PAINTED STEEL. FINIAL & SPINDLE TO BE ALUMINUM PAINTED TO MATCH.
- J. INTERIOR & EXTERIOR OF BOOTH TO BE PAINTED THE SAME COLOR.
- K. NO ON SITE WORK BY PAR-KUT.



PLAN VIEW

SCALE: 3/4"=1'-0"

GENERAL NOTES		
PAINT COLOR: (PLEASE SPECIFY COLOR)		
PD#	4' X 4' PREZ	
SCALE	DRAWN BY	REVISED
NTS	NSG	
DATE	SIZE	QTY
	4' X 4'	
CHK'D BY:	SALES REPRESENTATIVE	

NOTE: THIS PRINT AND DESIGN ARE THE PROPERTY OF PAR-KUT INTERNATIONAL, INC. IT MUST NOT BE REPRODUCED IN ANY MANNER, NOR SHALL IT BE SUBMITTED TO OUTSIDE PARTIES FOR EXAMINATION WITHOUT OUR CONSENT. IT SHALL BE USED ONLY AS A MEANS OF REFERENCE TO WORK DESIGNED AND FURNISHED BY PAR-KUT. PAR-KUT RESERVES THE RIGHT TO MAKE CHANGES TO DESIGN FOR ENGINEERING PURPOSES WITHOUT NOTICE. REVISIONS MAY NOT BE NOTED.

PAR-KUT INTERNATIONAL, INC.
40961 Production Drive
Harrison Twp, Mich.
48045-1351
PH. (586) 468-2947



DWG# PREZ-005 SHEET A-1