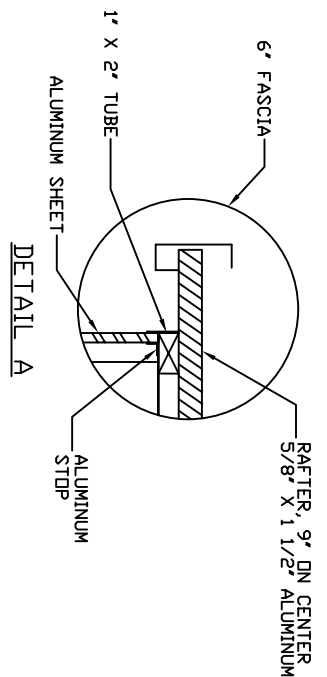


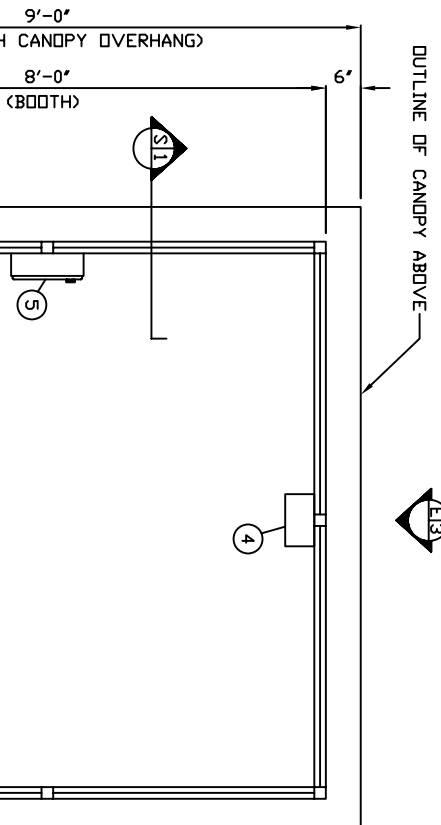
E1 ELEVATION

E4 ELEVATION

- NOTE:
1. ROOF TO BE FIBERGLASS.
  2. KICK PANELS PAINTED COLOR OF CHOICE.
  3. STRUCTURAL UPRIGHTS AND CROSS MEMBERS TO BE CLEAR ANODIZED ALUMINUM, OPTIONAL: BRONZE OR BLACK.
  4. 70 WATT HPS LIGHT WITH PHOTOCELL CONTROL.
  5. 25 KW SURFACE MOUNTED FAN FORCED HEATER.



DETAIL A



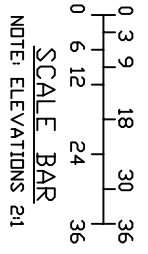
PLAN VIEW

E4

3" X 2" X 1/4" ALUMINUM ANCHOR CLIP, ANGLE AT EACH VERTICAL SECURED WITH 3/8" X 2 3/4" ANCHOR BOLTS, BOLTS INCLUDED

S1 SECTION

NOTE: THIS SHELTER IS ERECTED ON SITE BY CUSTOMER



SCALE BAR

NOTE: ELEVATIONS 21

PAINT COLOR (PLEASE SPECIFY COLOR)		A/E NOTES	
SCALE	DATE	DRAWN BY	REVISED
NTS	2-8-00	AJP	
		SIZE	QTY
		8' X 8'	
CHKD BY:		SALES REPRESENTATIVE	

NOTE: THIS PRINT AND DESIGN ARE THE PROPERTY OF PAR-KUT INTERNATIONAL, INC. AND MUST NOT BE REPRODUCED, COPIED, OR TRANSMITTED IN ANY FORM OR BY ANY MEANS, ELECTRONIC OR MECHANICAL, INCLUDING PHOTOCOPYING, RECORDING, OR BY ANY INFORMATION STORAGE AND RETRIEVAL SYSTEM, WITHOUT THE WRITTEN PERMISSION OF PAR-KUT INTERNATIONAL, INC.

PAR-KUT INTERNATIONAL, INC.  
40961 Production Drive  
Harrison Twp., Mich.  
48045-1351  
PH. (586) 488-2947

DWG# SHLT-013 SHEET A-1